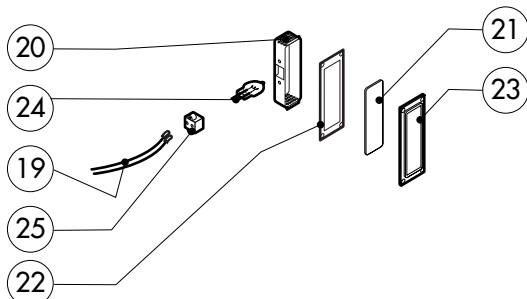
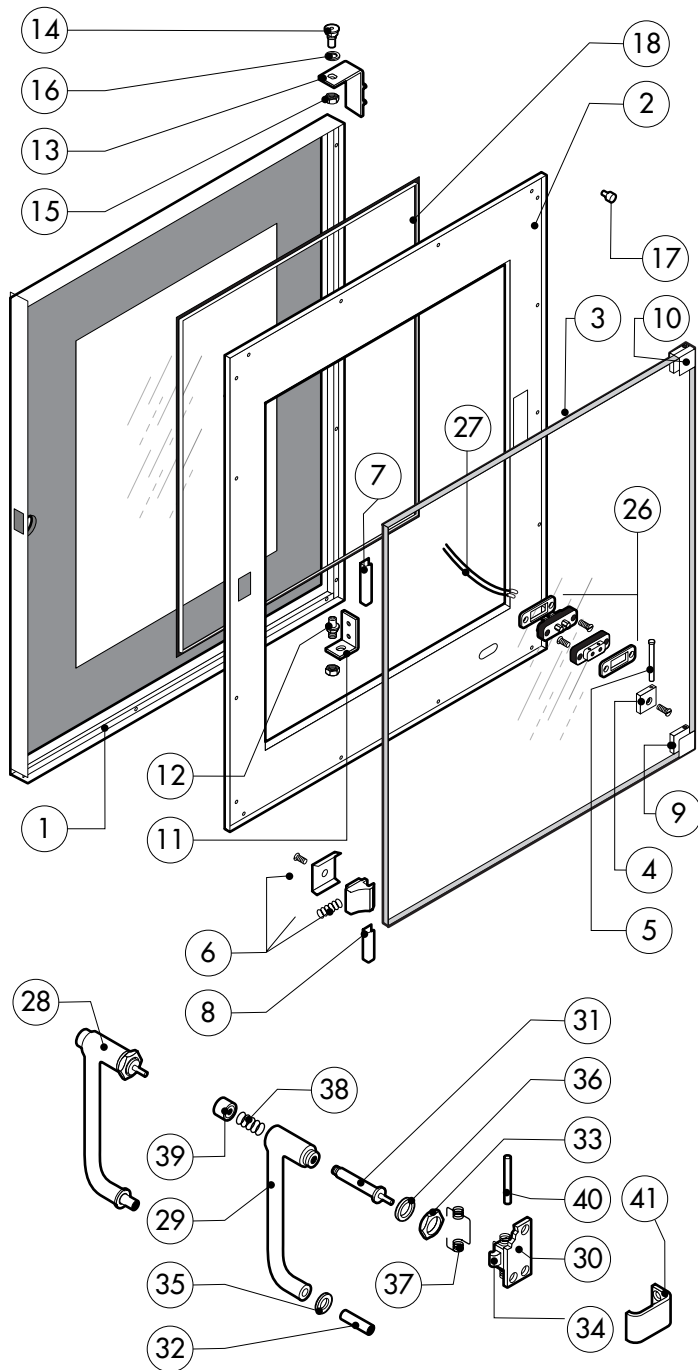
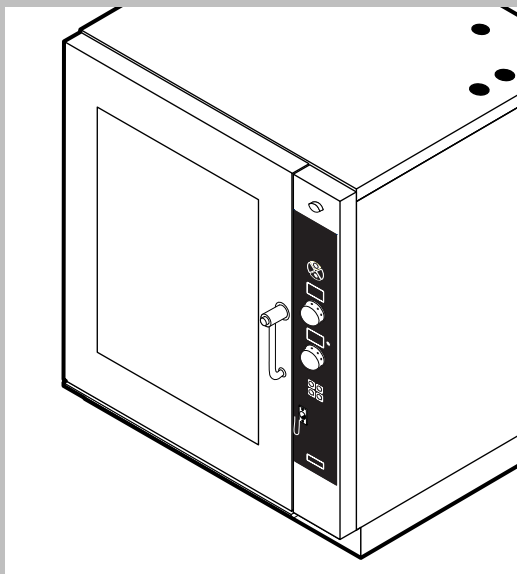


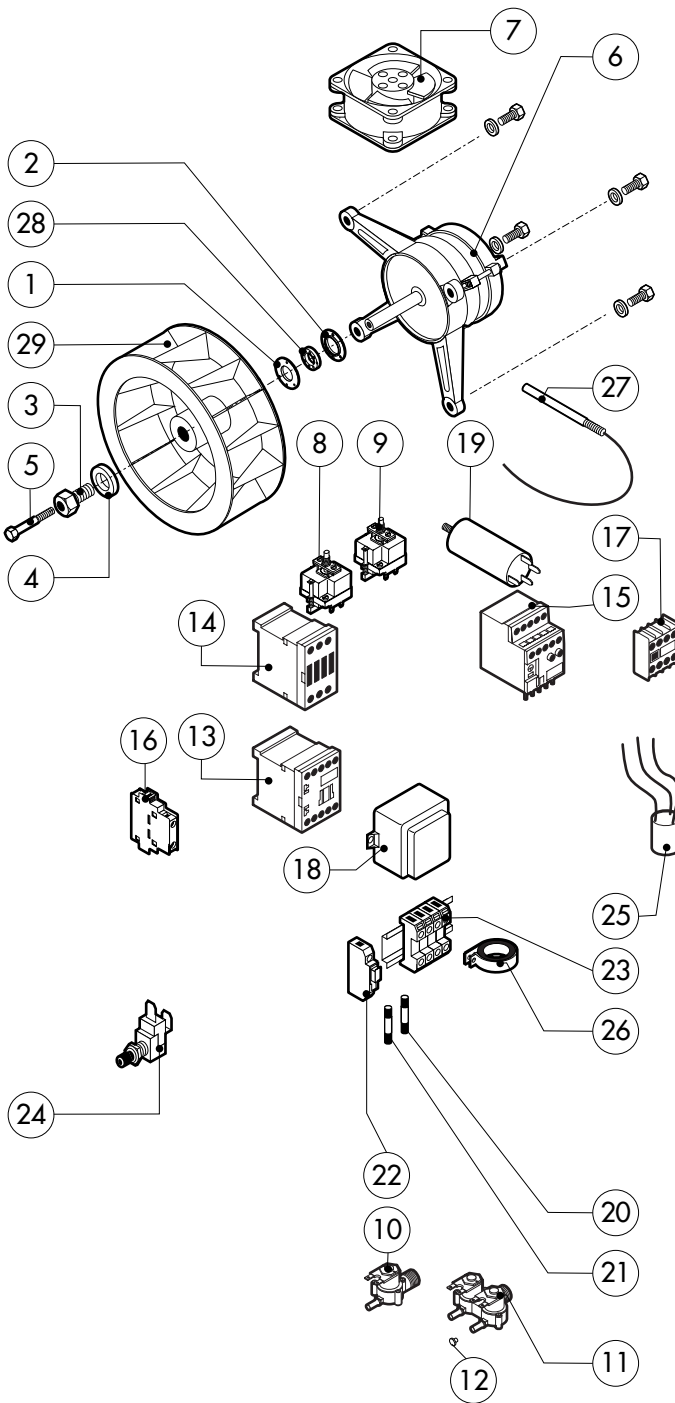
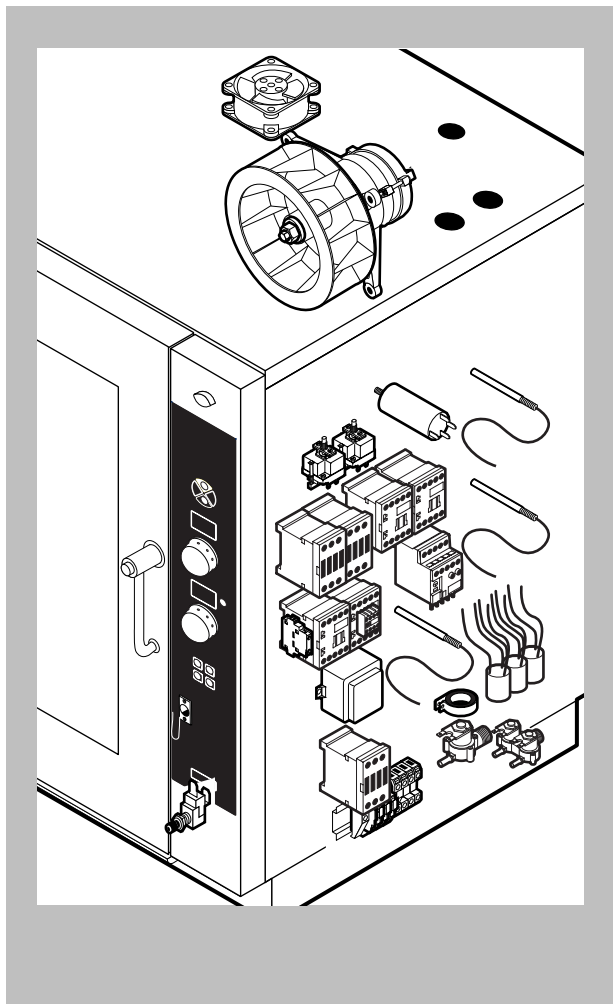
POS.	CODE	PIECES	DESCRIPTION
1	R18100070	1	DOOR ASSEMBLY
2	R18204080	1	CONTROL PANEL
3	R11201970	1	SPRITZER EXTENSION
4	R11200380	1	SPRITZER UNION
5	R18100450	1	COOKING CABINET ASSEMBLY
6	R18408290	1	FAN GUARD PANEL ASSEMBLY
7	R18408380	2	SIDE PANEL
8	R18408370	1	REAR PANEL
9	R18408400	1	COVER PANEL
10	R58006400	4	FAN GUARD FASTENING SCREW
11	R70044110	1	FRONT GASKET
12	R18204150	1	REMOVABLE RACK DX
13	R18204160	1	REMOVABLE RACK SX

POS.	CODE	PIECES	DESCRIPTION



POS.	CODE	PIECES	DESCRIPTION
1	R18203970	1	DOOR
2	R18203940	1	INNER DOOR PANEL
3	R71201510	1	INNER DOOR GLASS
4	R58001760	2	INNER GLASS SOLID HINGE
5	R58001770	2	INNER GLASS HINGE PIN
6	R58001780	2	INNER GLASS CATCH KIT
7	R11401340	1	TOP "C" PROFILE
8	R11401360	1	LOWER "C" PROFILE
9	R18203910	1	LOWER SUPPORT GLASS
10	R18203920	1	TOP SUPPORT GLASS
11	R18404500	1	LOWER DOOR HINGE
12	R58002520	1	LOWER HINGE PIN
13	R11200560	1	UPPER DOOR HINGE
14	R58002150	1	HINGE PIN
15	R58004050	2	NUT FOR UPPER DOOR HINGE
16	R10401710	1	WASHER FOR UPPER DOOR HINGE
17	R70050100	6	GLASS SILICON SPACERS
18	R70044150	1	GLASS GASKET
19	R66110320	1	DOOR LAMPS CABLE SET
20	R11401440	1	LAMP COVER
21	R71500150	1	GLASS LAMP

POS.	CODE	PIECES	DESCRIPTION
22	R70044200	1	LAMP GASKET
23	R11401450	1	GLASS HOLDER LAMP FLANGE
24	R65270020	1	LIGHT 20W 12V G4
25	R65270450	1	LIGHT SOCKET
26	R65260750	1	LAMPS CONTACT BLOCK
27	R66110300	1	LAMPS CONTACT CABLE SET
28	R69015000	1	DOOR HANDLE ASSEMBLY
29	R09200230	1	DOOR HANDLE
30	R10100110	1	PRONG FLANGE
31	R58003240	1	DOOR HANDLE BUTTON ROD
32	R58004270	1	DOOR HANDLE SPACER
33	R58004830	1	RING NUT M18x1
34	R58005050	1	DOOR HANDLE PRONG
35	R58005340	1	DOOR HANDLE LOWER INSULATION WASHER
36	R58005350	1	DOOR HANDLE UPPER INSULATION WASHER
37	R61620012	1	DOOR HANDLE CATCH SPRING
38	R61620041	1	DOOR HANDLE BUTTON SPRING
39	R69031190	1	DOOR HANDLE PUSH BUTTON
40	R58002160	1	DOOR HANDLE PRONG PIN
41	R18202020	1	DOOR HANDLE PRONG COUPLER

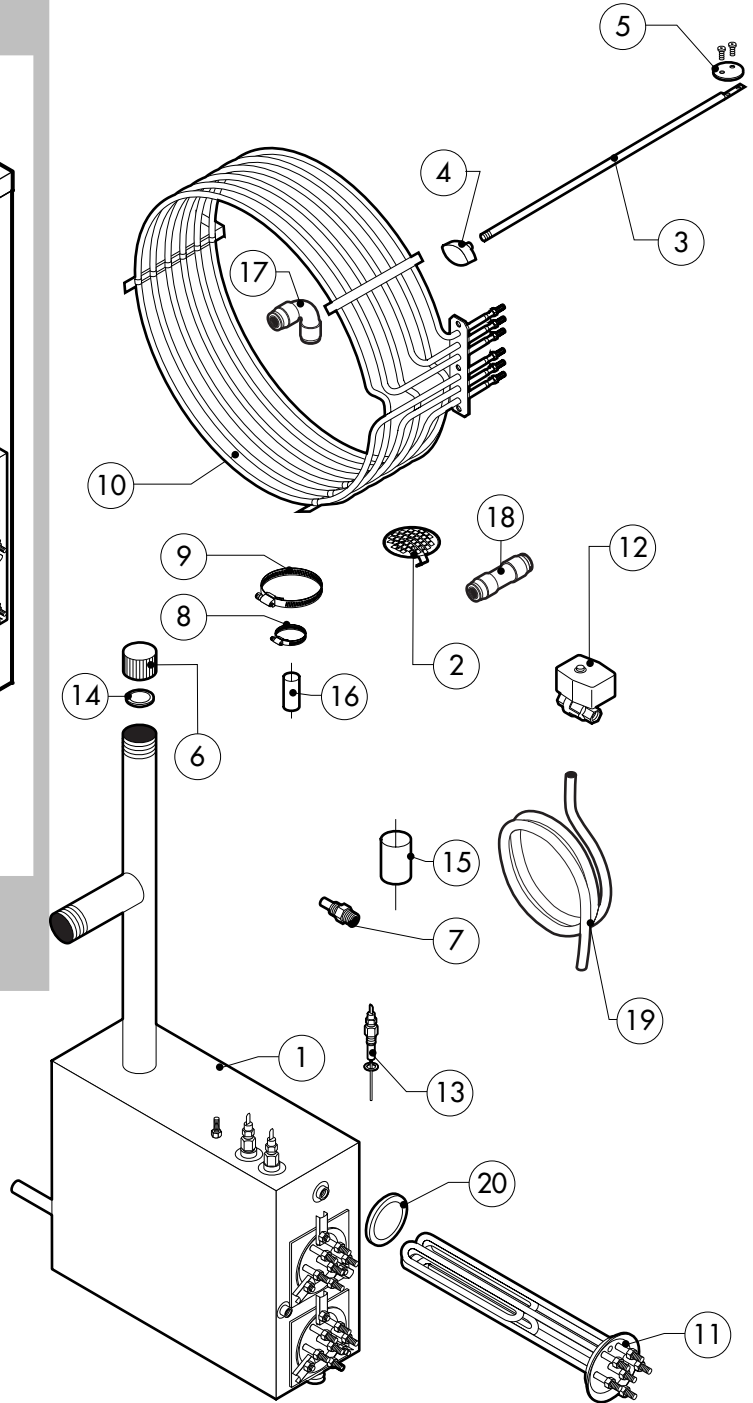
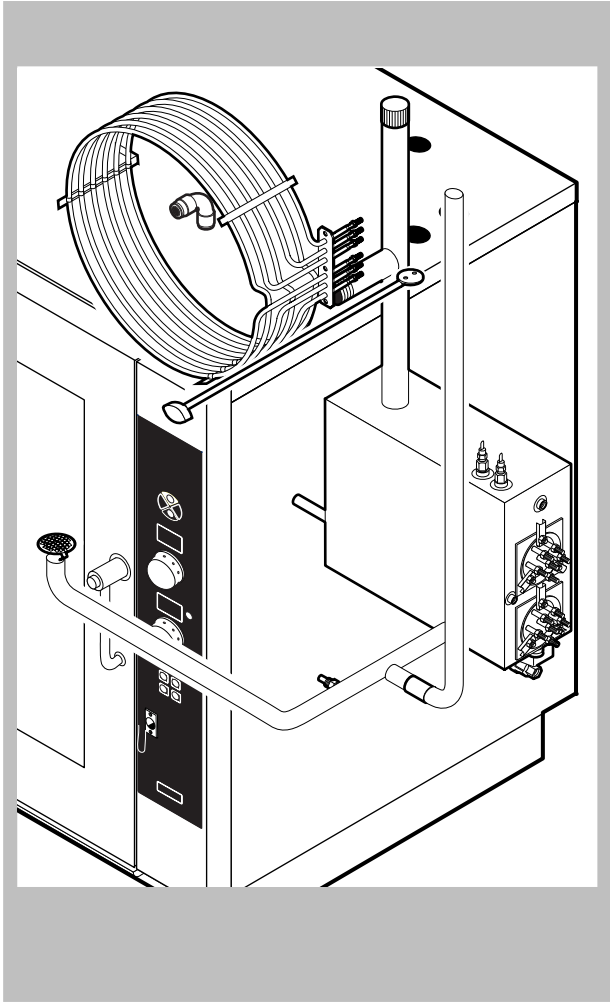


POS.	CODE	PIECES	DESCRIPTION
1	R58003840	1	MOTOR GASKET BRASS FLANGE
2	R58003850	1	MOTOR GASKET BRASS COUNTER FLANGE
3	R58004000	1	FAN SCREW M12x1.5 SX
4	R58004010	1	FAN WASHER Ø 30/12.5
5	R61020562	1	FAN SCREW TE A2 M6x55
6	*R65040530	1	MOTOR 055/015 KW KIT
7	R65060050	2	COMPONENTS VENTILATION MOTOR Ø 120
8	R65070350	1	CHAMBER SAFETY THERMOSTAT
9	R65070081	1	STEAM GENERATOR SAFETY THERMOSTAT
10	R65110200	1	SOLENOID VALVE 220V 50HZ
11	R65110210	1	SOLENOID VALVE 220V 50HZ WITH FLOW REDUCER
12	R65110510	1	15 LT/H WATER FLOW REDUCER
13	*R65140550	4	CONTACTOR DIL 00 M-01 4KW
14	*R65140560	3	CONTACTOR DIL 0 M 7,5KW
15	*R65160420	1	THERMIC PROTECTION Z 00-1,6
16	*R65140600	1	AUX.CONTACT 1L+1R 11S DIL M 7,5-15KW
17	*R65140610	1	AUX.CONTACT 1L+1R 11 DIL M 4KW
18	R65180420	2	TRANSFORMER 20VA
19	*R65190180	1	CAPACITOR 10 µF

POS.	CODE	PIECES	DESCRIPTION
20	R65200200	1	FUSE 2A
21	R65200080	2	FUSE 0.25A (T)
22	R65210020	3	FUSE CARRIER
23	R65220080	1	TERMINAL BOARD
24	R65260540	1	DOOR SWITCH
25	*R65280200	3	INTERFERENCE SUPPRESSOR
26	*R65280450	1	FERRITE
27	R65325000	3	PROBE PT100
28	R70020050	1	MOTOR GASKET
29	*R75400440	1	FAN Ø 350x114/12 50HZ P.D. KIT

*COMPONENT SUBMITTED TO CHANGEMENTS CAUSED BY TENSION DIFFERENT FROM THE STANDARD [3N AC400V 50HZ]

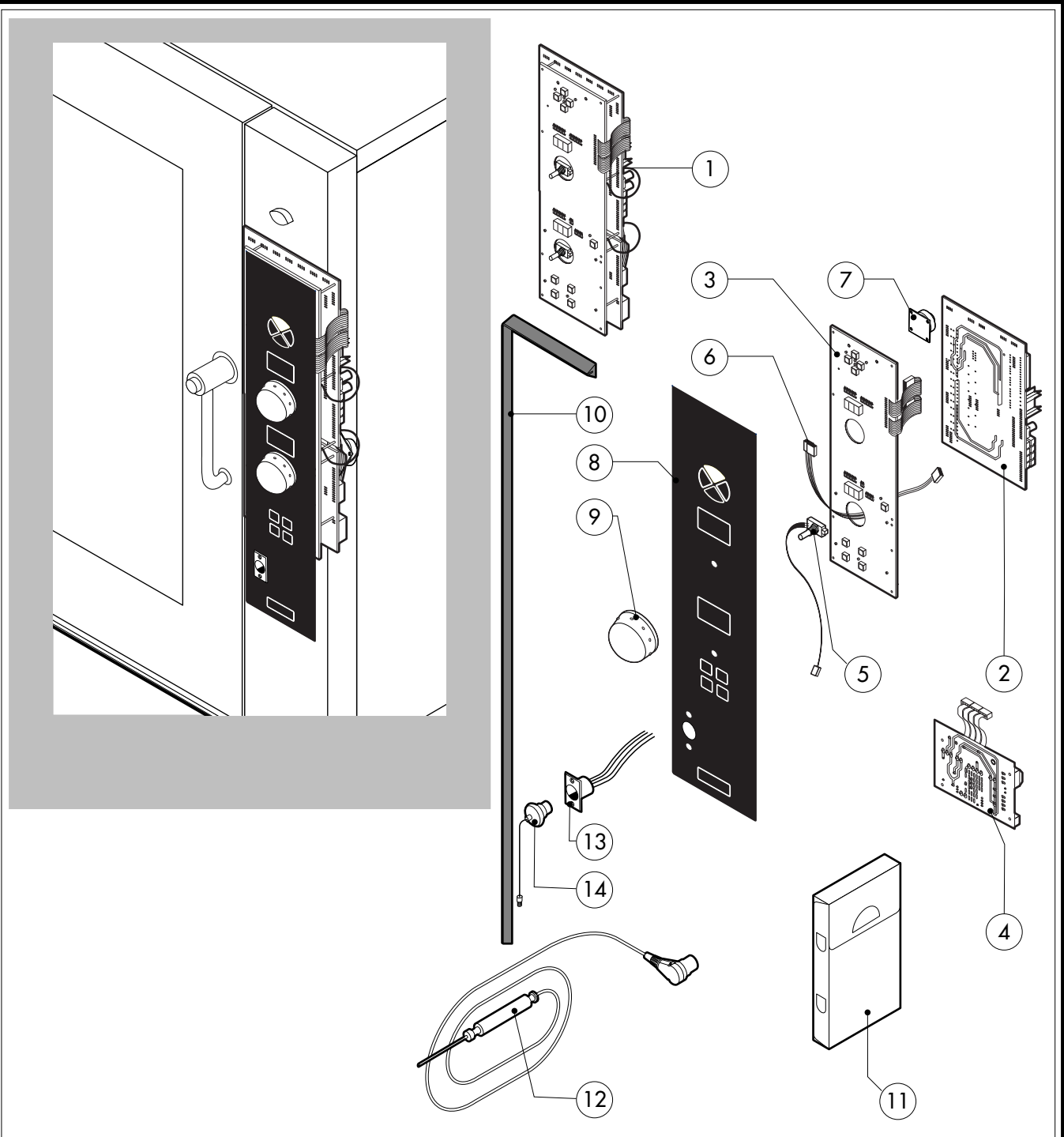
016_40_186_006-4 120505 DONADINI -sf



POS.	CODE	PIECES	DESCRIPTION
1	R18100230	1	STEAM GENERATOR ASSEMBLY
2	R10201710	1	DRAIN FILTER
3	R58003610	1	CHAMBER VENT ROD
4	R69010410	1	STEAM OUTLET KNOB
5	R04403460	1	CHAMBER VENT PLATE Ø 46
6	R58005680	1	STEAM GENERATOR DESCALING CAP 1"1/4 F
7	R58006130	1	STEAM QUENCHING NOZZLE Ø 1
8	R61630011	2	METAL CLAMPS 12-22/9
9	R61630021	2	METAL CLAMPS 30-45/9
10	*R65011310	1	CHAMBER HEATING ELEMENT 15000W
11	*R65020350	2	STEAM GENERATOR HEATING ELEMENT 7500W
12	R65110560	1	STEAM GENERATOR DRAIN MOTORIZED VALVE
13	R65320010	2	STEAM GENERATOR LEVEL PROBE
14	R70050040	1	STEAM GENERATOR CAP GASKET
15	R70060010	1	SILICON COUPLING Ø 30
16	R70060080	1	SILICON COUPLING Ø 13
17	R62090478	6	ELBOW MIDDLE PIPE FITTING D.10
18	R62090458	1	STRAIGHT MIDDLE PIPE FITTING D.10
19	R70070050	1	PE D.10 MM X7 WATER FLEXIBLE PIPE (3 MT LONG)

POS.	CODE	PIECES	DESCRIPTION
20	R70045010	2	STEAM GENERATOR HEATING ELEMENT GASKET

*COMPONENT SUBMITTED TO CHANGEMENTS CAUSED BY TENSION DIFFERENT FROM THE STANDARD [3N AC400V 50HZ]



POS.	CODE	PIECES	DESCRIPTION
1	R65301310	1	CONTROL PANEL P.C. BOARD
2	R65301320	1	FRONT PC BOARD "D" MOD
3	R65301330	1	RELAY PC BOARD "D" MOD
4	R65301480	1	BOILER CONTROL PC BOARD "H-P" MOD
5	R65301450	2	FRONT PC BOARD ENCODER
6	R65301340	1	PC BOARD FLAT CABLE
7	R65301440	1	PC BOARD BUZZER
8	R67450640	1	PLATE
9	R69030260	2	KNOB
10	R70044260	1	CONTROL PANEL GASKET
11	R86020420	1	CORE TEMPERATURE PROBE BOX
12	R65321120	1	CORE TEMPERATURE PROBE
13	R65320920	1	CORE TEMPERATURE PROBE FEMALE CONNECTOR
14	R65321020	1	COVER FOR FEMALE CONNECTOR

POS.	CODE	PIECES	DESCRIPTION