

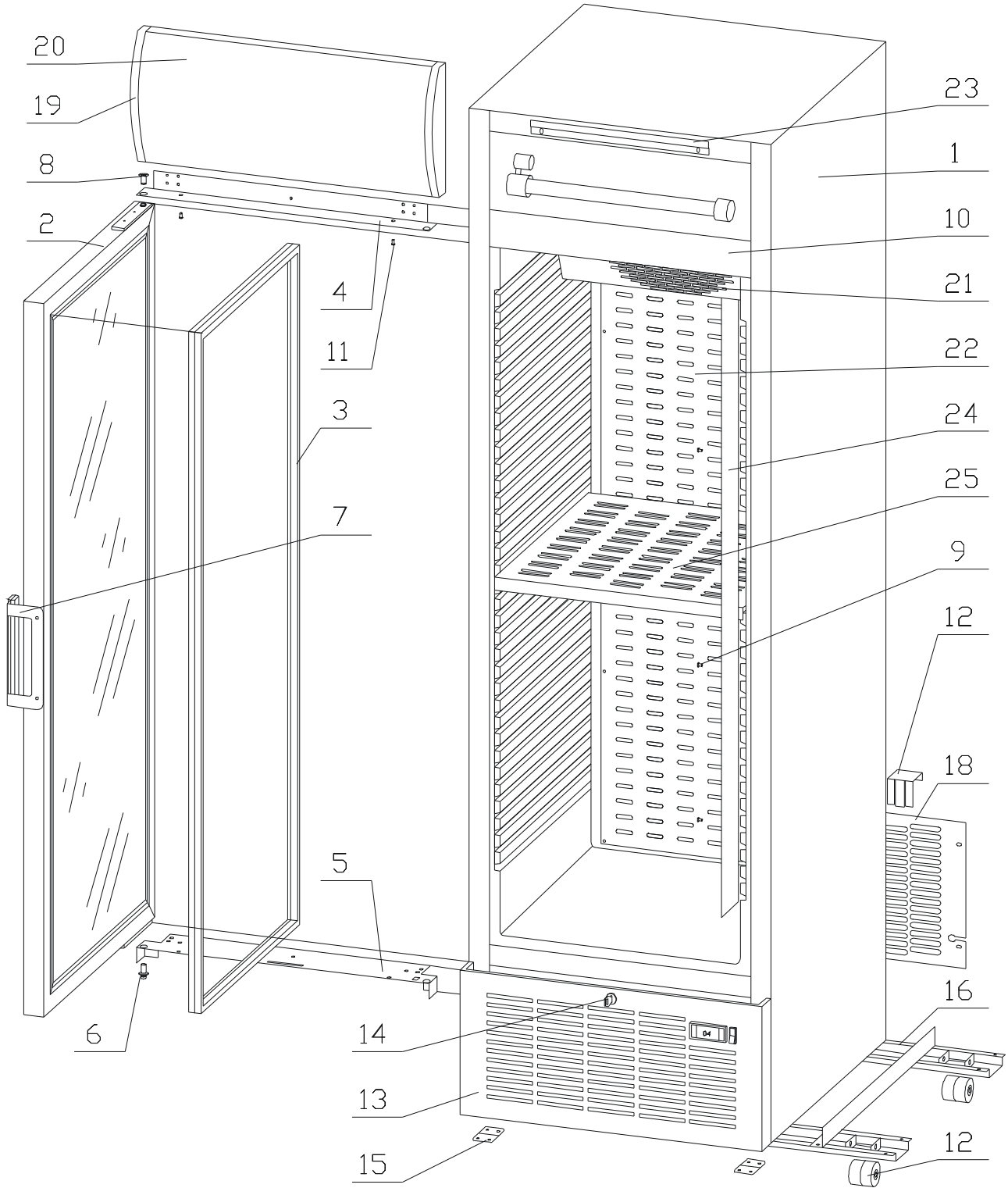
# SPARE PARTS



**HG 500**

19980.55 | 1 / 2003

# HG 500 G; GW HG 500 GP; GPW

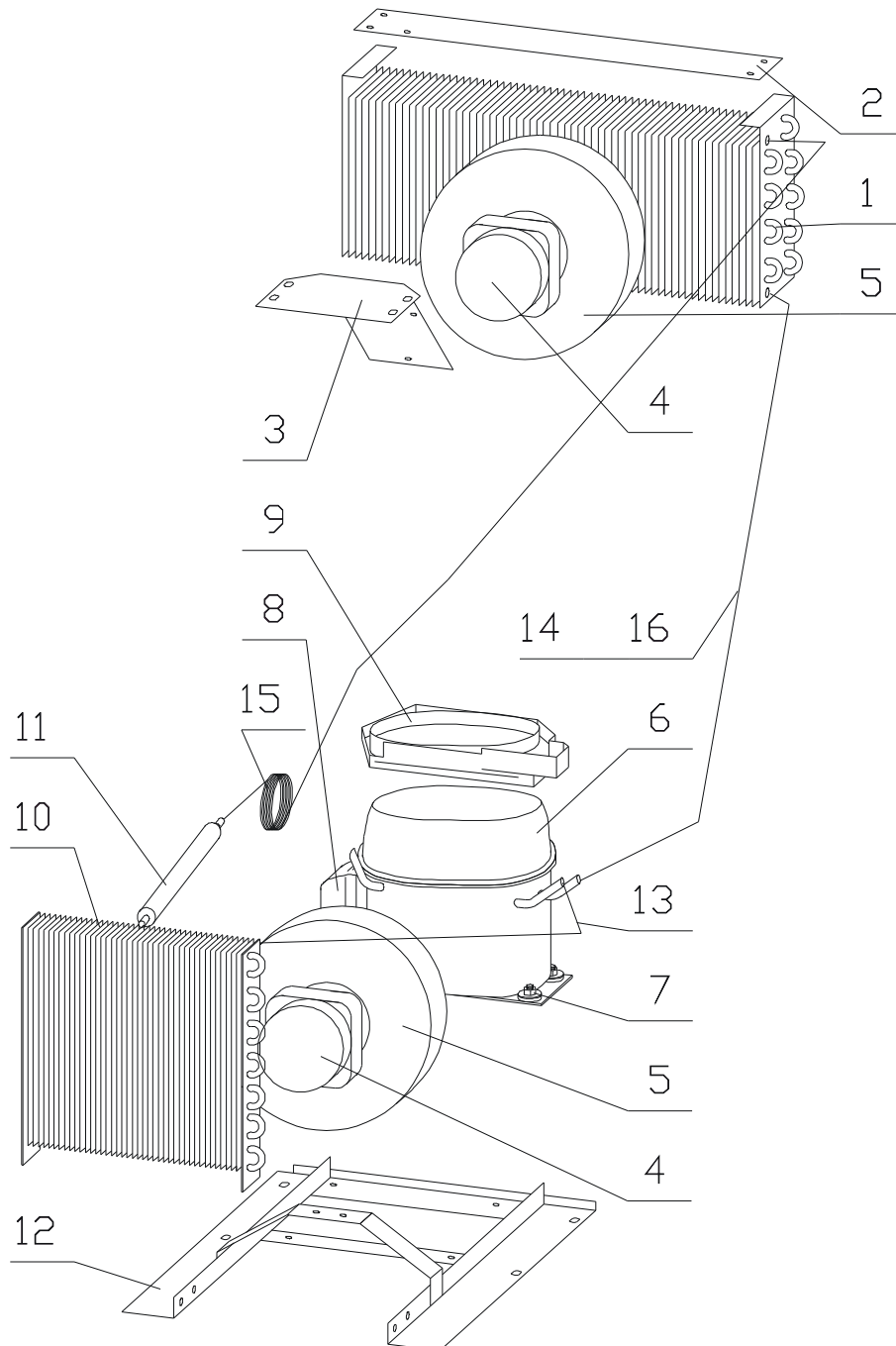


REFRIGERATOR CASING				HG 500		HG 500		April 2002
				G	GW	GP	GPW	
no.	title	code	pos	piece				observations
1	cabinet HG 500 G	25071.80	1	1	1			
2	cabinet HG 500 GP *	25071.81	1			1	1	
3	glass door 500 / black	22503.60	2	1	1			gasket built-in
4	door gasket HG 500 G	25174.22	3	1	1			
5	glass door 500M / black	22503.61	2			1	1	gasket built-in
6	door gasket HG 500 GP	25174.23	3			1	1	
7	door console - upper	25131.02	4	1	1			
8	door console - lower	25131.04	5	1	1	1	1	complete
9	hinge axis	25176.09	6	1	1	1	1	chromium-plated
10	door handle MVL 20 - black	25143.22	7	1	1	1	1	
11	hinge plug	25176.10	8	1	1	1	1	chromium-plated
12	plug art. 472463	25186.03	9	7	7	7	7	white
13	jamb HG 500 GP - compound*	25282.02	10			1	1	with built-in up. door console
14	door console - upper / M	25131.03	4			1	1	
15	plug ø4,0x0,8-4,0x11	25186.04	11			2	2	
16	distance holder HG 500 G	25216.61	12	2	2	2	2	
17	aggregate cover *	25307.03	13	1		1		neutral version (black)
18	aggregate cover - white	25307.08	13		1		1	
19	lock KO12	15308.05	14	1	1	1	1	
20	hinge PVC	25167.11	15					
21	frame with castors 500 - compound	25221.12	16	1	1	1	1	with built-in castors
22	castor ø50 art. 2-623-003	15034.31	17	8	8	8	8	
23	aggregate rear cover 500	25231.10	18	1	1	1	1	
24	advertising panel HG 500 – compound *	22536.60	19			1		neutral version – black frame with white plate
25	advertising panel HG 500 – compound - white	22536.63	19				1	white frame with white pl.
26	LEXAN plate *	25359.31	20			1	1	neutral vers. – white plate

REFRIGERATOR CASING				HG 500		HG 500		April 2002
				G	GW	GP	GPW	
no.	title	code	pos	piece				observations
27	circulating panel - upper HG 500	25300.29	21	1	1	1	1	
28	circulating panel - lower HG 500	25300.30	22	1	1	1	1	
29	lath GP	25304.08	23			1	1	
30	lamp protector / 500 G	22536.41	24	1	1			
31	lamp protector / 500 GP	22536.42	24			1	1	
32	perforated plate 500	22508.45	25	5	5	5	5	

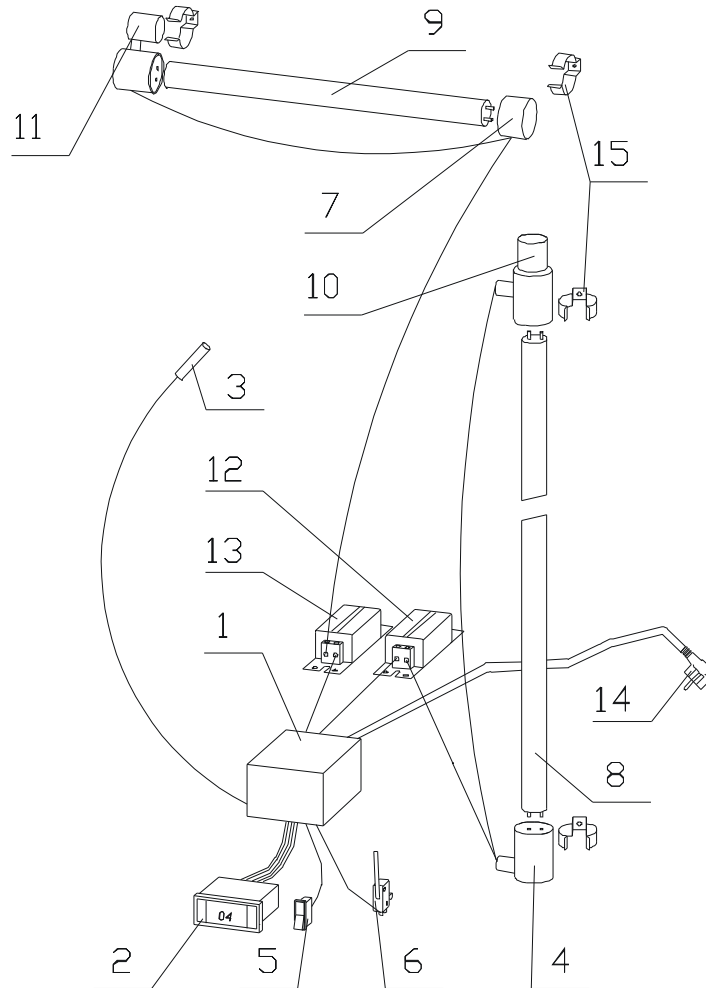
\* Together with the marked parts, which are not included in a neutral version, should be specified a trade mark from advertising panel or side plates.

# Refrigerating system HG 500 G; GW HG 500 GP; GPW



REFRIGERATING SYSTEM				HG 500 G, GW	HG 500 GP, GWP	April 2002
no.	title	code	pos	piece		Observations
1	evaporator 500	25014.37	1	1	1	
2	evaporator bearer HG 500	25271.10	2	1	1	
3	evaporator fan stand	25269.12	3	1	1	
4	fan motor A600 5W	10513.23	4	2	2	
5	suction impeller ø200 / 22	20489.25	5	2	2	
6	compressor FR 8.5 G 103G 6780	11621.64	6	1	1	without el. equipment
7	fixing elements. CN 118-1917	12021.02	7	1	1	
8	cord relief 103 N 1006	17619.06	8	1	1	
9	compressor cover 103 N 2010	16536.22	8	1	1	
10	starting relay 117 U 6015	17579.25	8	1	1	
11	starting capacitor 117U5015	17661.11	8	1	1	
12	evaporating tray FR 8.5G	25334.04	9	1	1	
13	condenser ZP-1.5	12940.50	10	1	1	
14	dryer ø8.1/ ø6.1 L=105/135	13386.50	11	1	1	
15	aggregate stand 500	25020.08	12	1	1	
16	discharge pipe ø6	10596.80	13	1	1	
17	suction pipe ø6 - compound	25016.28	14	1	1	together w. capillary tube
18	capillary tube ø2,8x0,7x3680, flow 36l/min	14950.10	15	1	1	
19	insulating tube ø10x6	20976.44	16	1,0	1,0	meter

# Electrical equipment HG 500 G; GW HG 500 GP; GPW



ELECTRICAL EQUIPMENT				HG 500 G, GW	HG 500 GP,	April 2002
no.	title	code	pos	piece		observations
1	controller BIT 20B11F	17683.33	1	1	1	
2	display unit BIT12RU	17683.35	2	1	1	
3	probe - thermostat SN2K30P1, 3m	17682.46	3	1	1	3m long cable
4	controller SDU 122TORE	17683.97	1	*1	*1	* option 1
5	probe - thermostat ST1K30P1, 3m	17682.56	3	*1	*1	* option 1, 3m long cable
6	controller XR20C (Dixell)	17682.55	1	**1	**1	** option 2
7	lampholder ø26/1200 P.1032	13457.11	4	1		
8	switch DS-401 XAO-05	16557.24	5	1	1	
9	door microswitch D453 V3LL	15340.07	6	1	1	
10	lampholder ø26/895 P.1032	13457.12	4		1	
11	lampholder ø26/438 P.1052	13457.13	7		1	
12	fluorescent tube ø26, 36W, L=1200	13469.06	8	1		
13	fluorescent tube ø26, 30W, L=895	13469.05	8		1	
14	fluorescent tube ø26, 15W, L=438	13469.23	9		1	
15	starter SF 4-65W	13455.02	10	1	1	
16	starter TU 20 for tube 20 W	13455.03	11		1	
17	choke 40W EC40M A50	13459.14	12	1	1	
18	choke 20W EC20 A50	13459.13	13		1	
19	cable entry with plug HO5VV-F36.0.75	15019.16	14	1	1	3m long cable
20	spring ø26	17470.49	15	2	4	